

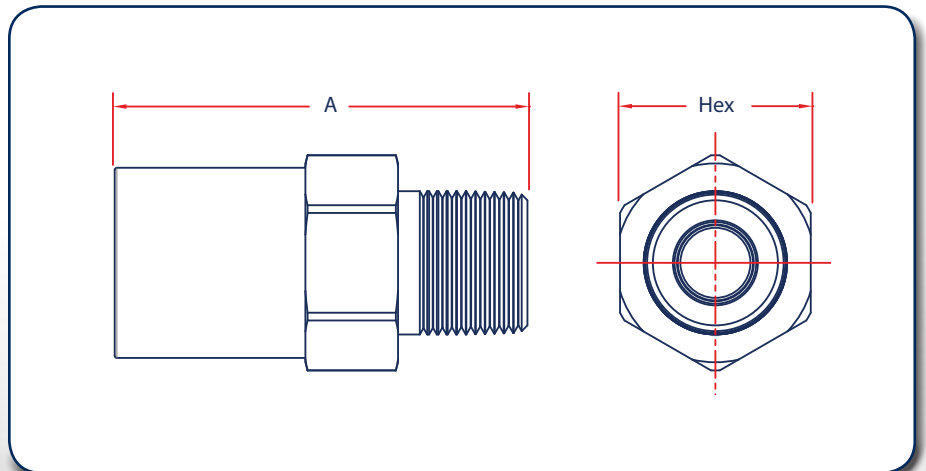
P255 High Capacity Relief Valves

- Zero leakage to 98% of set pressure
- Set pressure tolerance $\pm 5\%$ of preset
- Reseal at 92% of set pressure
- Line sizes of 3/4" and 1" NPT



P255 Dimensions

Pipe Size	A	Hex
3/4" NPT	3.39"	1-3/4"
1" NPT	3.79"	1-3/4"



Materials of Construction

Component	Material
Body	CDA360 Brass
Spring	302 Stainless Steel
Retainer	CDA360 Brass
Seal	Nitrile

P255 Ordering Information		
P25506BB1055	3/4" NPT Inlet	55 psi Set Pressure
P25508BB1050	1" NPT Inlet	50 psi Set Pressure

Additional set pressures available upon request.

Flow Data

Spring Range	45 - 75		
Vessel Pressure	65	75	85
Crack Pressure	55		
Size	Flow SCFH	Flow SCFH	Flow SCFH
3/4"	27,680	40,320	50,040
1"	31,971	42,677	50,135

Flow stated using air and converted to natural gas flow rates.
Flow information obtained from flow tests conducted at National Board.